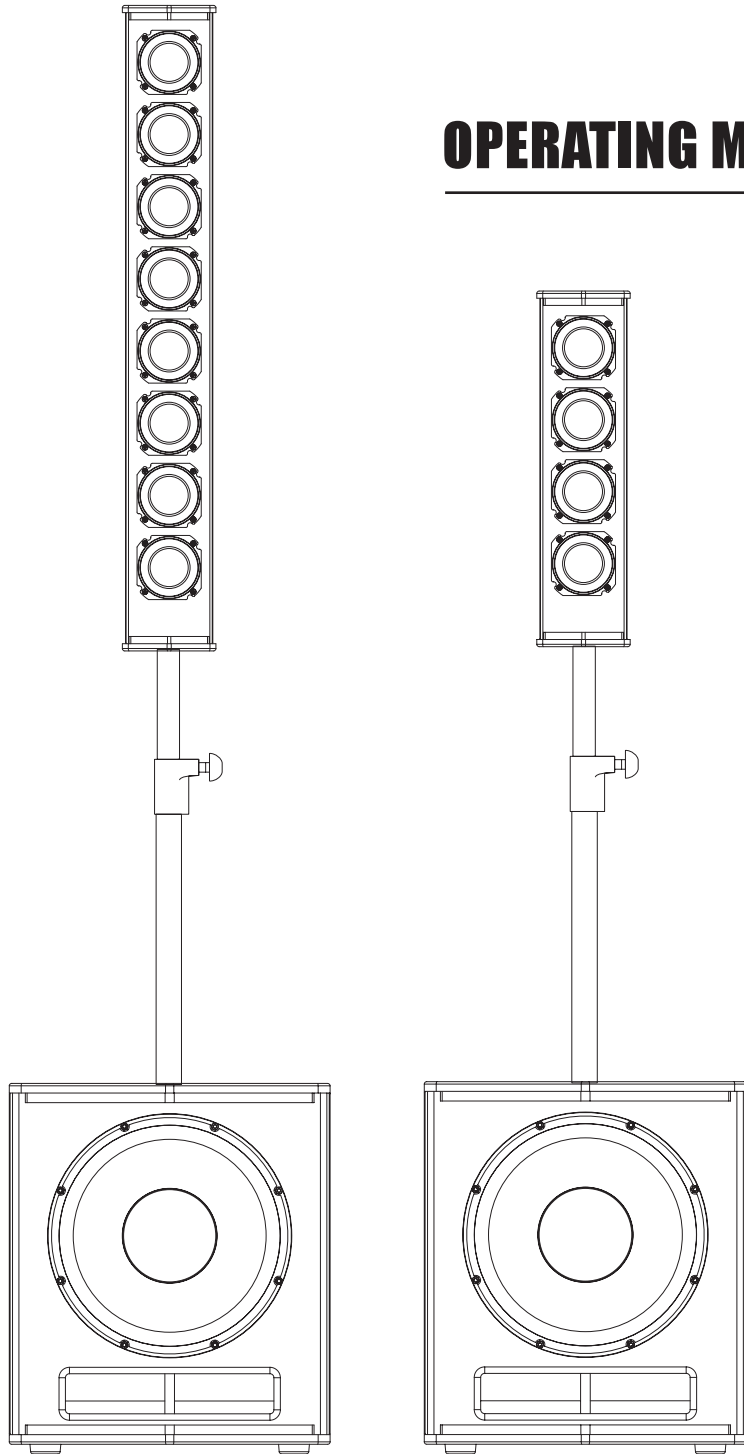




ISOLINE SERIES

User's Manual
ISOLINE 410
ISOLINE 812

OPERATING MANUAL AND USER GUIDE



www.wharfedalepro.com



IMPORTANT WARNINGS & SAFETY INSTRUCTIONS

1. Read these instructions
2. Follow all instructions
3. Keep these instructions
4. Heed all warnings
5. Do not use this apparatus near water
6. Clean only with dry cloth.
7. Do not block any ventilation openings. Install in accordance with the manufacturer's instructions.
8. Do not install near any heat sources such as radiators, heat registers, stoves, or other apparatus (including amplifiers) that produce heat.
9. Do not defeat the safety purpose of a polarised or grounding plug. A polarised plug has two blades with one wider than the other. A grounding plug has two blades and a third grounding blade. The wide blade or the third blade is provided for your safety. If the provided plug does not fit into your outlet, consult an electrician for replacement of the obsolete outlet.
10. Protect the power cord from being walked on or pinched, particularly at the plug, receptacle and at the point where it exits from the apparatus.
11. Only use attachments/accessories specified by the manufacturer.
12. Only use a stand, tripod, bracket or rack specified by the manufacturer, or sold with the apparatus. When a rack is used, use caution when moving the rack and apparatus combination to avoid tip-over or injury.



13. Unplug the apparatus during lightning storms or when unused for long periods of time.
14. Refer all servicing to qualified personnel. Servicing is required when the apparatus has been damaged in any way including but not limited to power supply cord or plug damage, liquid ingress, foreign objects in the chassis, exposure to rain/moisture or impact damage. In addition the unit must be serviced when you experience any abnormal operation.
15. CAUTION: These servicing instructions are for use by qualified service personnel only. To reduce the risk of electric shock, do not attempt to perform any servicing other than that contained in the operating instructions unless you are qualified to do so. In addition opening the casing will result in your warranty becoming null and void.
16. Do not install this apparatus in a confined space such as a book case or similar unit. Good ventilation should be maintained around the apparatus. Any vents, air-inlets or fans should not be obstructed by objects such as paper, table-cloths, curtains etc.
17. WARNING: To reduce the risk of fire or electric shock, do not expose the apparatus to rain or moisture. The apparatus should not be exposed to dripping or splashing and objects filled with liquids, such as vases, should not be placed on the apparatus.
18. WARNING: The mains plug/appliance coupler is used as a disconnect device, the disconnect device shall remain readily operable.





19. The lightning flash with arrowhead symbol within an equilateral triangle is intended to alert the user to the presence of non-insulated "dangerous voltage" within the product's enclosure that may be of sufficient magnitude to constitute a risk of electric shock.
 - Warning: To reduce the risk of electric shock, do not remove the cover (or back) as there are no user-serviceable parts inside. Refer servicing to qualified personnel.
 - The exclamation point within an equilateral triangle is intended to alert the user to the presence of important operating and maintenance instructions in the literature accompanying the appliance.
20.  (Protective earthing terminal) The apparatus should be connected to a mains socket outlet with a protective earthing connection.
21.  Correct Disposal of this product. This marking indicates that this product should not be disposed with other household wastes throughout the EU. To prevent possible harm to the environment or human health from uncontrolled waste disposal, recycle it responsibly to promote the sustainable reuse of material resources. To return your used device, please use local return and collection systems or contact the retailer where the product was purchased. They can take this product for safe environmentally friendly recycling.



Table of Contents

2..... Introduction

3..... Packages

4..... Back Panel Description

5..... ISOLINE 410 Connections

6..... ISOLINE 812 Connections

7..... ISOLINE Bluetooth Module Description

8..... Wire Connections

9..... Specifications





INTRODUCTION

The all-new ISOLINE Series from Wharfedale Pro is your fastest route to a professional, compact PA system. Compromising of a column formation loudspeaker interconnected with a high powered subwoofer with its own built-in amplifier, users can expect a full-range sound from a system that is easily packed down into your car boot with ease.

For ultimate convenience ISOLINE comes complete with a built-in mixer and wireless Bluetooth input, The ISOLINE Series is available in two different models, the ISOLINE 410 and the ISOLINE 812. The 410 package includes a V4 column speaker with 4 high powered 3" wideband drivers, covering the high/mid-range and a long throw 10" subwoofer, while the 812 includes a V8 column speaker with 8 high powered 3" wideband drivers and a long throw 12" subwoofer. The systems are perfect for corporate presentations and singer-songwriter style performances. Of course, as with all Wharfedale Pro products special attention has been paid to the quality from the ground up. The ISOLINE Series is coated in our very own Rhino Rock finish which offers extensive protection from setting up, packing down and without doubt - entertaining the crowd. Large carry handles are suitably positioned on the subwoofer for safe and comfortable manoeuvring of the system so you can enjoy a hassle-free gig from start to finish.



PACKAGES

The ISOLINE Series includes a combination of passive speakers, active subwoofers and complete PA systems.

A) Passive Speakers:

1. ISOLINE V4
2. ISOLINE V8

B) Subwoofer

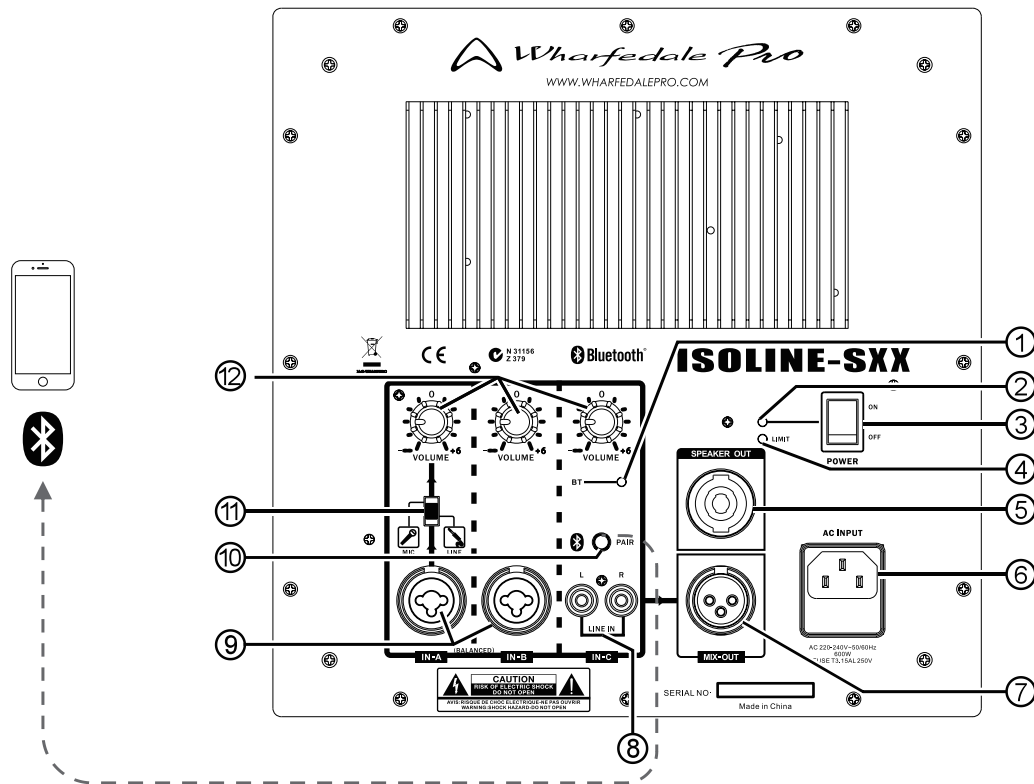
1. ISOLINE S10
2. ISOLINE S12

C) Packages

1. ISOLINE 410 System (ISOLINE V4, ISOLINE S10, ISOLINE P-1 Pole)
2. ISOLINE 812 System (ISOLINE V8, ISOLINE S12, ISOLINE P-1 Pole)

These products are designed to provide a cost effective high-grade solution and they can be used for all kinds of applications such as churches, conference centres, discos, mobile DJ applications etc.

BACK PANEL DESCRIPTION

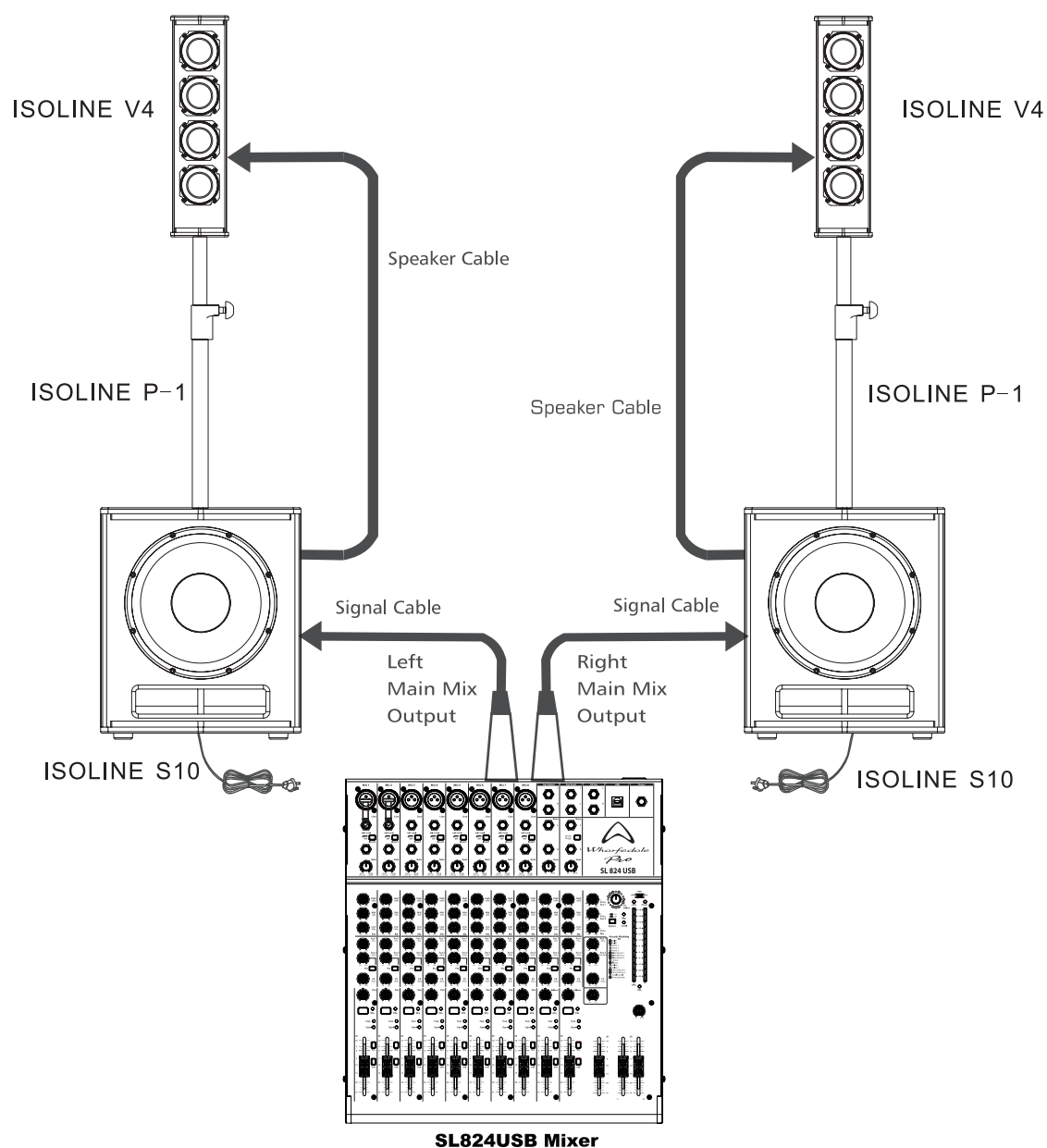


1. BLUETOOTH indicator LED. When the LED lights up, Bluetooth is working correctly.
2. POWER 'ON' indicator LED
3. ON-OFF MAIN POWER SWITCH
4. LIMIT indicator LED: The LIMIT LED illuminates when the signal limiter is actively limiting the level of the signal to prevent distortion and overload.
5. SPK connector to satellite (V4, V8): Use pins +1 positive / -1 negative
6. AC POWER SOCKET WITH MAIN FUSE
7. Female XLR balanced line level OUTPUT: This jack provides a balanced line level output for connection to a mix of Input A, Input B and Input C.
8. RCA INPUTS
9. XLR / 1/4" COMBO input jacks for INPUTS A & B: These convenient jacks provide for either XLR or 1/4" balanced input connections to INPUT A or B.
10. Bluetooth pairing switch
11. GAIN SWITCH: This switch selects the proper gain structure for input A. If a microphone is connected to INPUT A, use Mic mode (up). If the signal source is anything other than a microphone (playback device, keyboard or a mixer output, for instance) use the line model (down).
12. VOLUME controls for INPUT A, B & C: These knobs control the volume of each input channel.

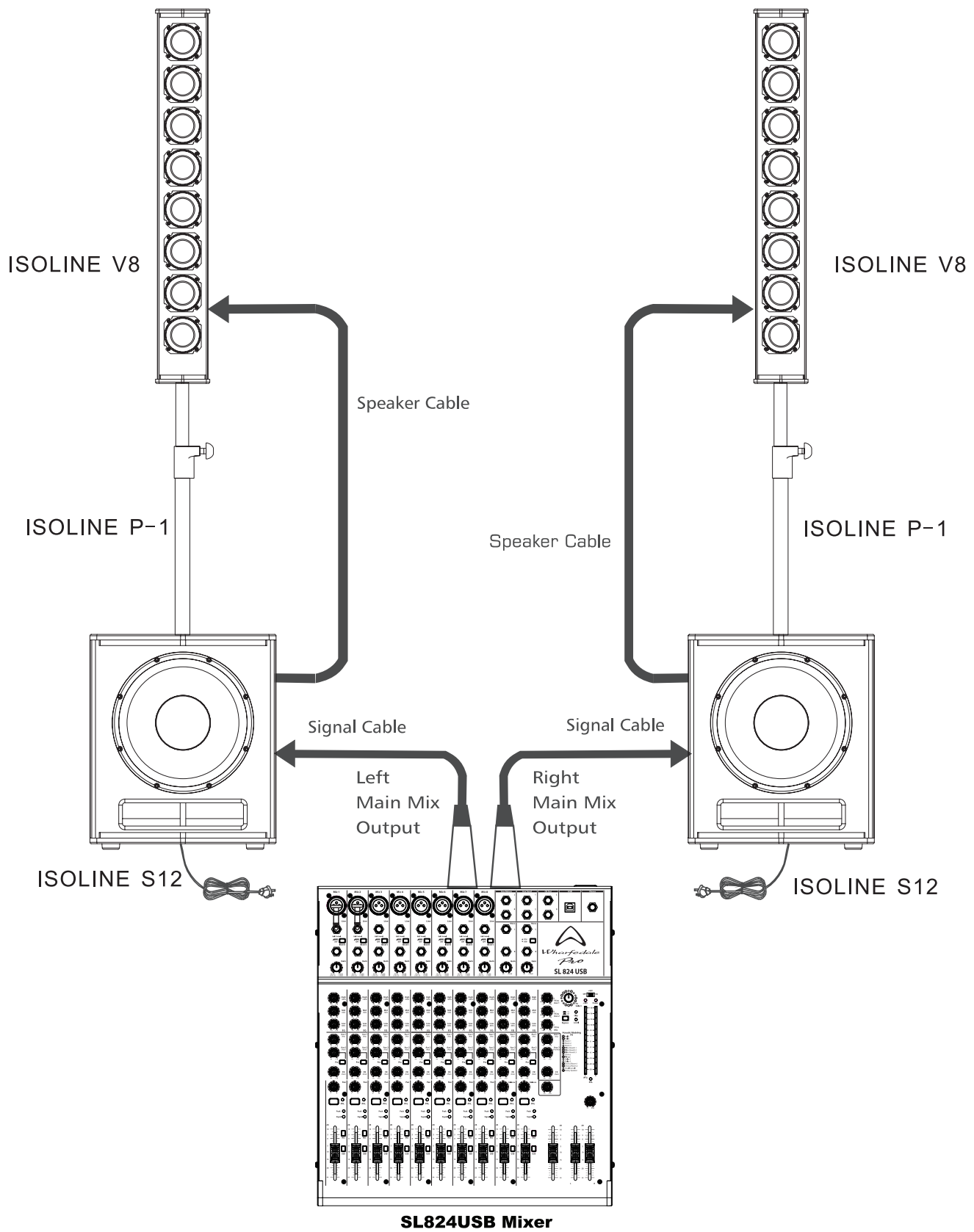
CONNECTING THE ISOLINE 410 SYSTEM

Make all initial connections with all the equipment powered off, and ensure that all the main volume controls are turned completely down.

1. Connect one side of the signal cable at your audio mixer into output left / right (with stereo-jack or XLR) and the other side of the cable into the line input (stereo-jack) of your active speaker cabinet)
2. Connect the power cord to mains
3. Turn on your mixer first, then the active speaker cabinets
4. Turn up the volume control of the active speaker cabinets
5. Use PFL function to get the proper input level for the mixer, and adjust the main mix level control to manipulate the output level.
6. After using, turn off your active speaker cabinets first, then the mixer



CONNECTING THE ISOLINE 812 SYSTEM

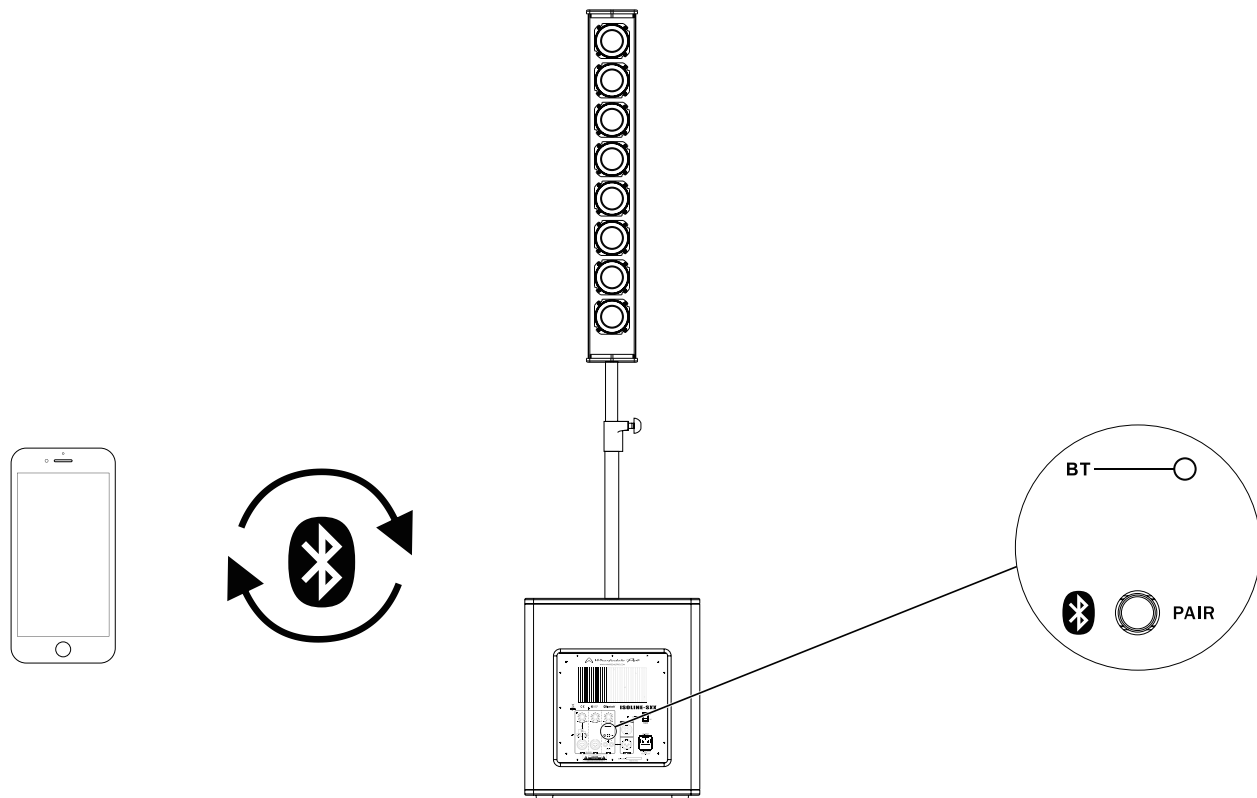


ISOLINE BLUETOOTH MODULE DESCRIPTION

The ISOLINE 410 and 812 use the latest in Bluetooth technology. The typical range is up to 100 feet (30 meters) with a clear line of sight. However, the range may vary depending on your source device and the environment.

To maximize the range:

1. Put your source device on a flat nonmetallic surface and make sure there are minimal obstacles between the speaker and your device (walls, furniture and other objects blocking line of sight can cause a shorter signal distance).
2. Turn off any 2.4 GHz devices in the vicinity which are not in use (i.e. other Bluetooth devices, Wi-Fi access points, etc.).
3. Try using a different Bluetooth source device. Bluetooth signal strength varies between different devices.



Pairing:

1. Turn the volume of IN-C to the left MIN. Enable Bluetooth on your Bluetooth device.
2. Power on ISOLINE, Bluetooth function is active, and [BT] LED will flash.
3. ISOLINE will start to search and pair the speaker with your Bluetooth device. Manually select and connect "ISOLINE" in your device at the first time. Once your device is paired to ISOLINE, ISOLINE will remember the device even after power cycling it. ISOLINE can automatically pair with the last connected Bluetooth device when powered on. [BT] LED will light solid once the pairing successfully completes.
5. Playback music on your Bluetooth device.
6. Turn the volume of IN-C to a comfortable level, and enjoy the great sound.
7. Quickly pressing the [PAIR] key on the rear panel of ISOLINE will disconnect the speaker with your device, also you can disconnect it in your device immediately. ISOLINE Bluetooth will be released and can be paired with Bluetooth device again. [BT]LED will turn to flash.

Note:

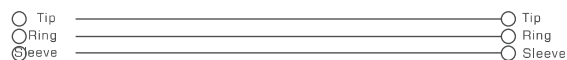
If your device prompts you to enter a PIN code to pair it to the speaker, enter '0000'.

WIRE CONNECTIONS

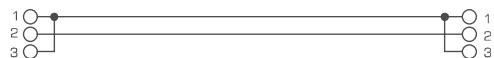
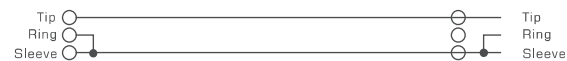
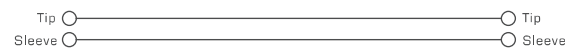
For Active Speaker Cabinets

Normally for active speakers, cables carrying audio only will be used and you will have the following choices to use.

• Balanced

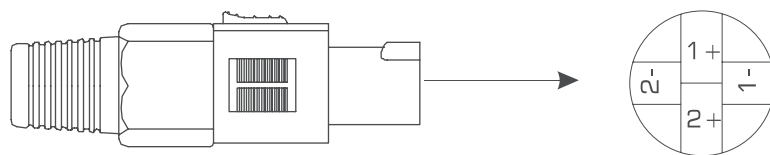


• Unbalanced



For Passive Speaker Cabinets

Please only use the power connectors to make connections with other signal source equipment for the passive speaker cabinets. The power connector has four terminals: 1+, 1-, 2+ and 2-.



In our cabinets, only 1+ / 1- are used to connect the Speaker + / Speaker - and 2+/2- are not used.

SPECIFICATION

Packages		
	ISOLINE 410	ISOLINE 812
Package Includes	V4 Mid / High, S10 Sub, P1 Pole	V8 Mid / High, S12 Sub, P1 Pole
Power (RMS / Peak)	400W / 700W	600W / 1000W
Max SPL	121dB	124dB
Net Weight	23.5kg	29.0kg
Gross Weight	28.1kg	36.5kg
Mid / High Speakers		
	ISOLINE V4	ISOLINE V8
Woofers	4 x 3" Wideband Drivers	8 x 3" Wideband Drivers
Nominal power handling capacity	150W RMS	300W RMS
Frequency response (-6dB)	160Hz-20kHz	140Hz-20kHz
Axia sensitivity (1w@1m)	95dB	97dB
Nominal impedance	8 Ohms	4 Ohms
Speakon connections	1 x Speakon	1 x Speakon
Directivity	80° horizontal	80° horizontal
Crossover frequency	500Hz, 24dB / Oct	350Hz, 24dB / Oct
Mounting	Standard Pole Mount	Standard Pole Mount
Dimensions(HxWxD)	445 X 116.6 x 115mm	805 x 116.6 x 115mm
Carton Dimensions(HxWxD)	520 x 220 x 220 mm	880 x 220 x 220mm
Weight	2.5kg	5.1kg
Gross	3.1kg	6.1kg
Subwoofers		
	ISOLINE S10	ISOLINE S12
Woofers	1 X 10"	1 X 12"
Frequency Response (-6dB)	50Hz-500 Hz	40Hz-500Hz
Axia sensitivity 1w@1m	94dB	96dB
Subwoofer Output (RMS / Peak)	250W / 400W at 4 Ohms	300W / 500W at 4 Ohms
Column Output (RMS / Peak)	150W / 300W at 8 Ohms	300W / 500W at 4 Ohms
Amplifier Protection	Limiter, Power ON/OFF, Thermal,OVP,UVP,DCP,short	Limiter, Power ON/OFF, Thermal,OVP,UVP,DCP,short
Display	Limiter, Power and Bluetooth LED indicators	Limiter, Power and Bluetooth LED indicators
Bluetooth	Bluetooth V3.0 / EDR compliant	Bluetooth V3.0 / EDR compliant
Inputs	2 x XLR / Jack Combi, RCA	2 x XLR / Jack Combi, RCA
Outputs	Speakon (to V4/V8), XLR	Speakon (to V4/V8), XLR
Input Sensitivity		
Input A (Line / Mic Balanced)	0dBu / -40dBu	0dBu / -40dBu
Input B (Balanced)	0dBu	0dBu
Input C (RCA / Bluetooth)	0dBu	0dBu
Maximum Input Level	20dBu	20dBu
Input Impedance		
Input A (Line / Mic Balanced)	22KΩ Balanced and 11KΩ Unbalanced	22KΩ Balanced and 11KΩ Unbalanced
Input B (Balanced)	22KΩ Balanced and 11KΩ Unbalanced	22KΩ Balanced and 11KΩ Unbalanced
Input C (RCA / Bluetooth)	11KΩ Unbalanced	11KΩ Unbalanced
Maximum Input Level	20dBu	20dBu
Output Impedance	50Ω Balanced and 100Ω Unbalanced	50Ω Balanced and 100Ω Unbalanced
Loop Gain	0dB	0dB
AC Power details		
Power Supply	SMPS	SMPS
AC Power Options	AC100V-120V~ /220V-240V~,50/60Hz	AC100V-120V~ /220V-240V~,50/60Hz
Cabinet Description	MDF, Black Paint with Steel Grille	MDF, Black Paint with Steel Grille
Mounting	Standard Pole Mount	Standard Pole Mount
Dimensions (H x W x D)	400 x 350 x 500mm	450 x 400 x 541.9mm
Carton Dimensions (H x W x D)	475 x 418 x 568mm	525 x 468 x 613mm
Net Weight	21.0kg	23.0kg
Net Gross	25.0kg	27.0kg



WHARFEDALE PRO LIMITED WARRANTY

Wharfedale Pro products are warranted of manufacturing or material defects for a period of one year from the original date of purchase. In the event of malfunction, contact your authorized Wharfedale Pro dealer or distributor for information.

*Be aware that warranty details may differ from country to country. Contact your dealer or distributor for information. These terms do not infringe your statutory rights.







Wharfedale Professional
IAG House 13/14 Glebe Road Huntingdon Cambridgeshire PE29 7DL UK
www.wharfedalepro.com

Wharfedale Professional reserves the right to alter or improve specifications without notice.
All rights reserved © 2015 Wharfedale Pro. Wharfedale Pro is a member of the IAG Group.